

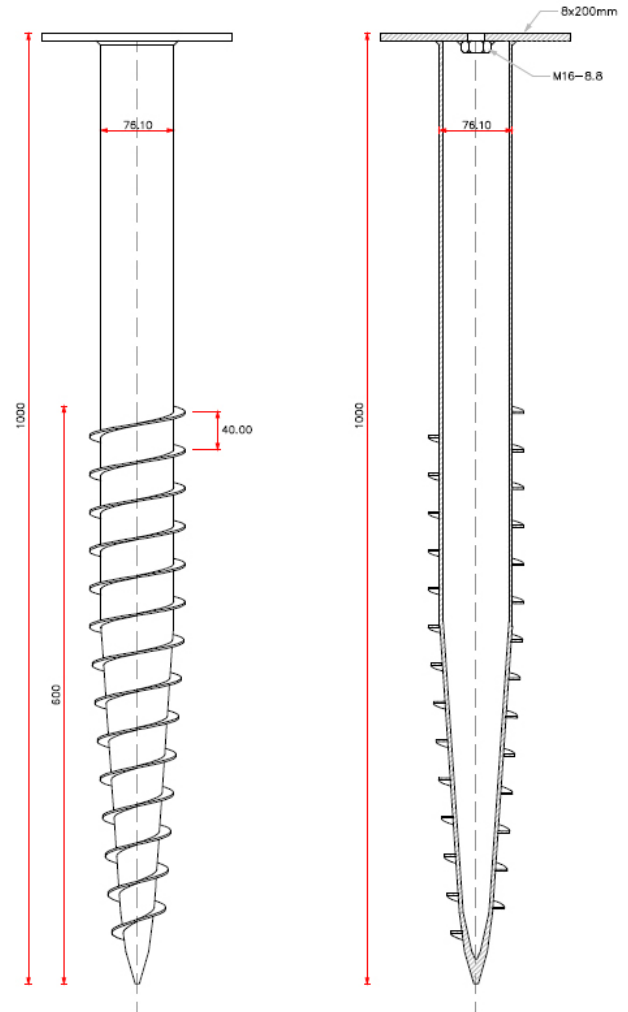
GROUND SCREW ROUND FLANGE 1000mm



Art. no.:	11041
Weight:	7,60 kg
Materials:	Pipe: 76,1 x 2,6 x 1000 mm Flange: 8 x 200 mm Steel: S235
Surface treatment:	Hot-dip galvanized
Installation:	Manual Electric machine Pneumatic machine Hydraulic machine
Use:	Fixation of beams, columns and profiles
Fixation:	M16 / M12 / M10 bolts

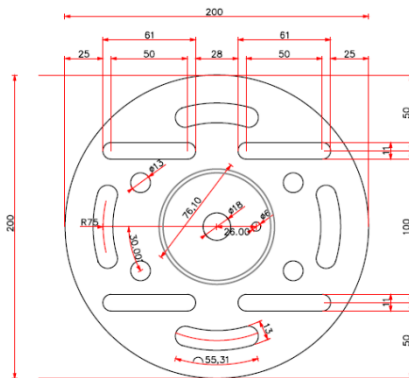
Side view

Cross cut



Scale 1:8

Top view flange



<i>To combine with:</i>
17021 – Poleholder M20
17022 – L-Bracket M16 80mm
17023 – L Bracket M16 160mm
17040 – Aluminium plate

<i>Drawing description</i> Ground screw round flange 1000mm		
<i>Date</i>	<i>Signed</i>	<i>Sheet number</i>
12/2018	DVDE	2 van 5
<i>Drawing number</i>	<i>Format</i>	<i>Document status</i>
11041_V1	A4	DEF.
FIRST BASE GROUND SCREWS Patersweg 2, 5406 XJ Uden, Holland.		info@firstbasegroundscrews.com www.firstbasegroundscrews.com 0031 413 432 052